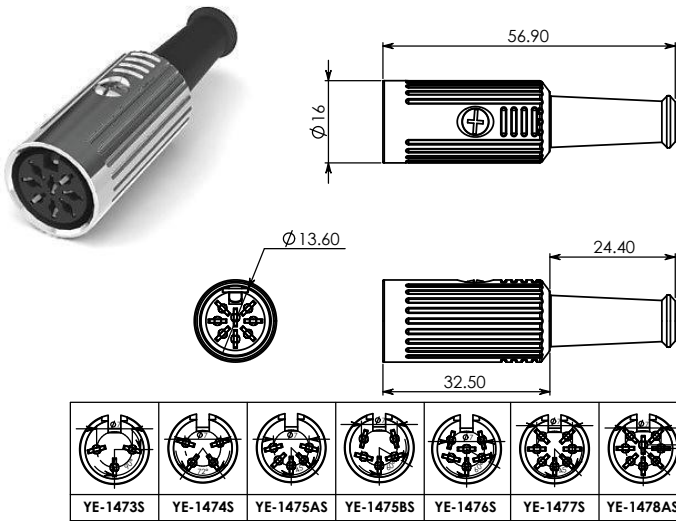


YE-147XS DIN CABLE JACK METAL SHIELD ASS'Y



MATERIAL:

1. SHELL COVER : Zn ALLOY NICKEL PTD.
2. STRAIN BOOT: TPR
3. "T" HOLDER : STEEL NICKEL PTD.
4. GND CONTACTOR : PHOSPHOR BRONZE NICKEL PTD.
5. SETSCREW: STEEL NICKEL PTD.
6. HOUSING : PA66
7. TERMINALS : COPPER SILVER PTD.

SPECIFICATION :

Rating : 100V AC 1A max.

Contact Resistance :

Pins 30mΩ max.

Shell 50mΩ max.

Insulation Resistance :

100MΩ at 500V DC min.

Voltage Withstand :

250V AC for 1 minute



YE-1473S



YE-1474S



YE-1475AS



YE-1475BS



YE-1476S



YE-1477S



YE-1478AS